

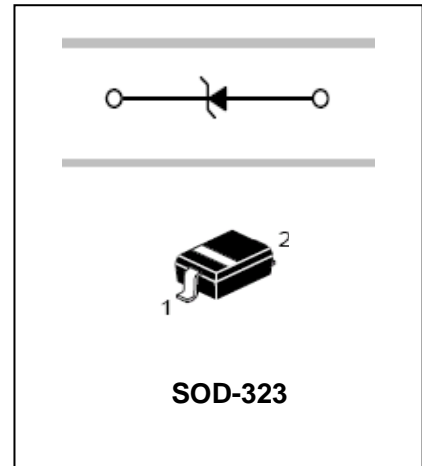


Single Line TVS Diode

SD24

FEATURES

- Suitable replacement for MLV'S ESD protection
- Low leakage current
- Low clamping voltage
- Working voltage:24V



APPLICATIONS

- Single line TVS diode

ORDERING INFORMATION

Type No.	Marking	Package Code
SD24	8U	SOD-323

MAXIMUM RATING @ Ta=25°C unless otherwise specified

Parameter	Symbol	Limits	Unit
Peak pulse power dissipation($t_p=8/20\mu s$)	P_{pk}	500	W
Operating temperature	T_L	-55 to+150	°C
Storage temperature	T_{STG}	-55 to+150	°C

ELECTRICAL CHARACTERISTICS @ Ta=25°C unless otherwise specified

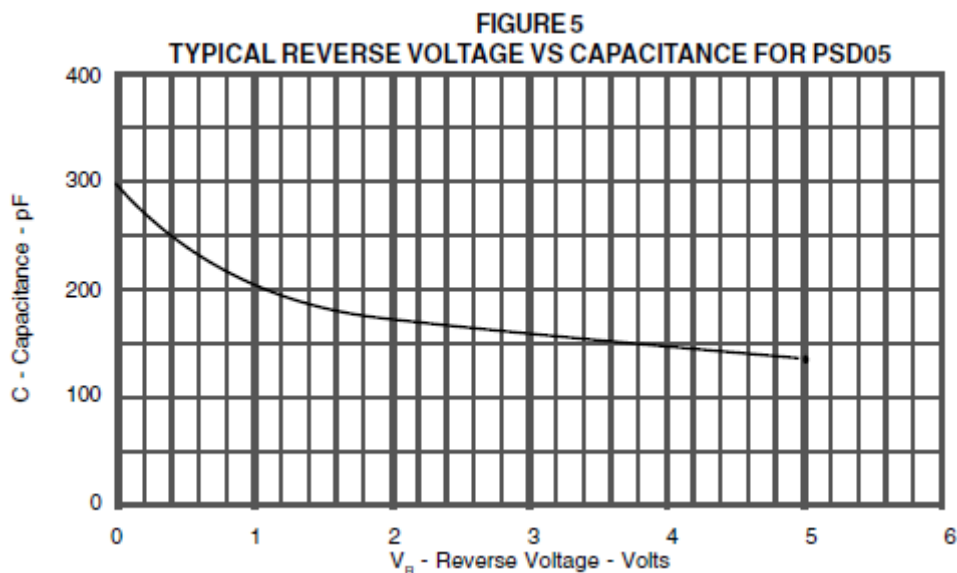
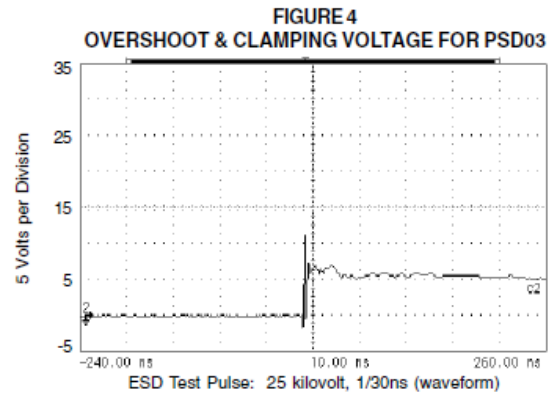
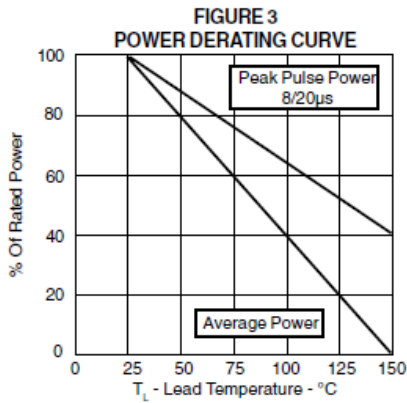
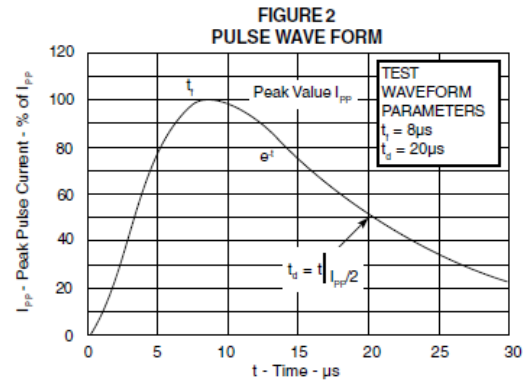
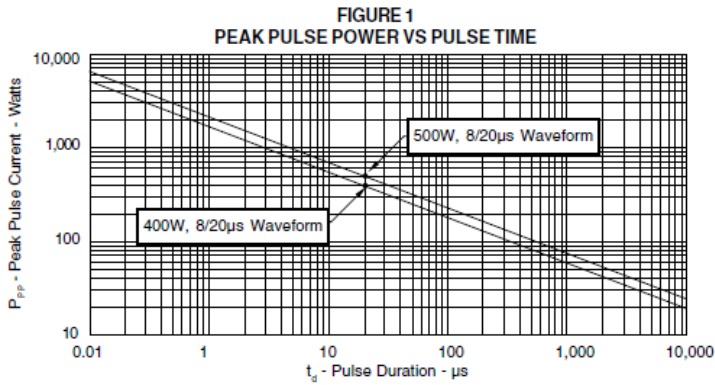
Parameter	Symbol	Conditions	Min	Typ	Max	Units
Reverse stand-off voltage	V_{RWM}				24	V
Reverse breakdown voltage	V_{BR}	$I_t=1mA$	26.7			V
Reverse leakage current	I_R	$V_{RWM}=24V, T=25^\circ C$			1	μA
Clamping voltage	V_C	$I_{PP}=1A, t_p=8/20\mu s$			43	V
Clamping voltage	V_C	$I_{PP}=12A, t_p=8/20\mu s$			49	V
Junction capacitance	C_j	$V_R=0V, f=1MHz$			88	pF



Single Line TVS Diode

SD24

TYPICAL CHARACTERISTICS @ Ta=25°C unless otherwise specified



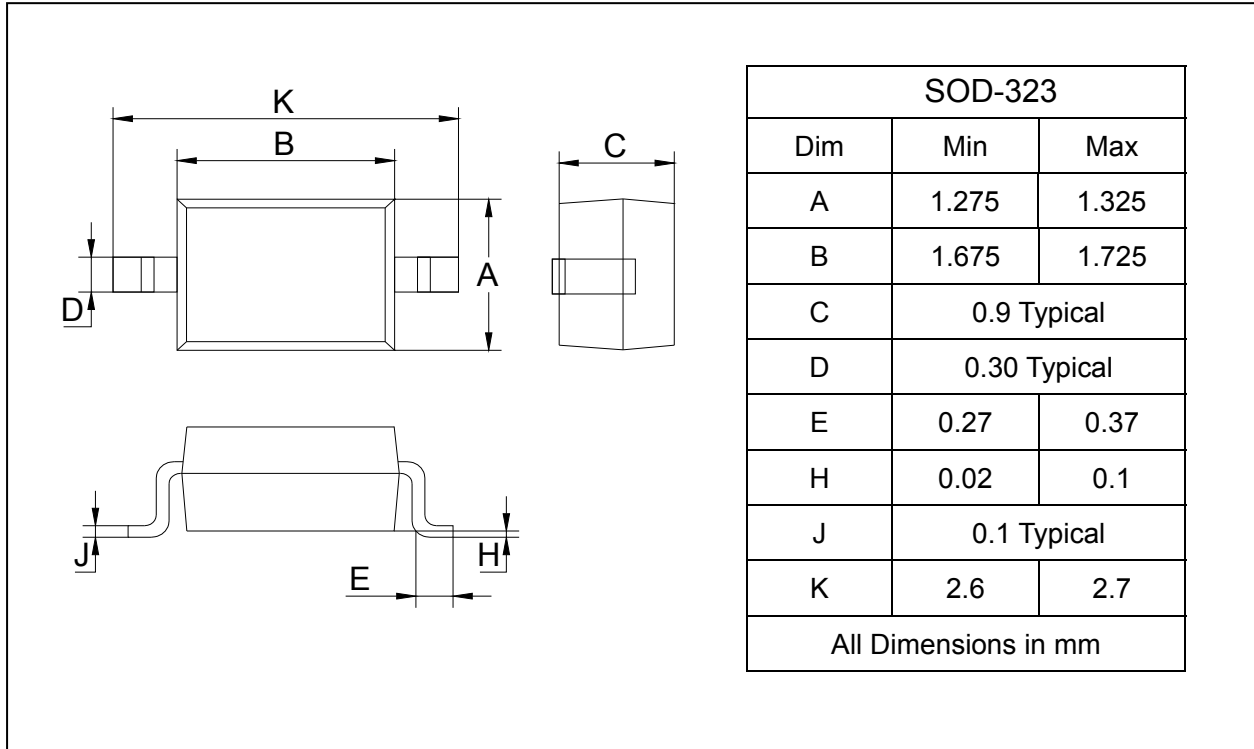
Single Line TVS Diode

SD24

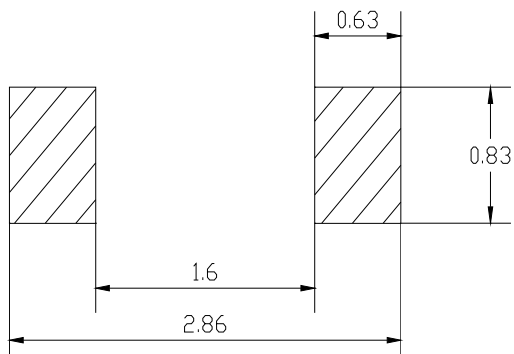
PACKAGE OUTLINE

Plastic surface mounted package

SOD-323



SOLDERING FOOTPRINT



Unit : mm

PACKAGE INFORMATION

Device	Package	Shipping
SD24	SOD-323	3000/Tape&Reel